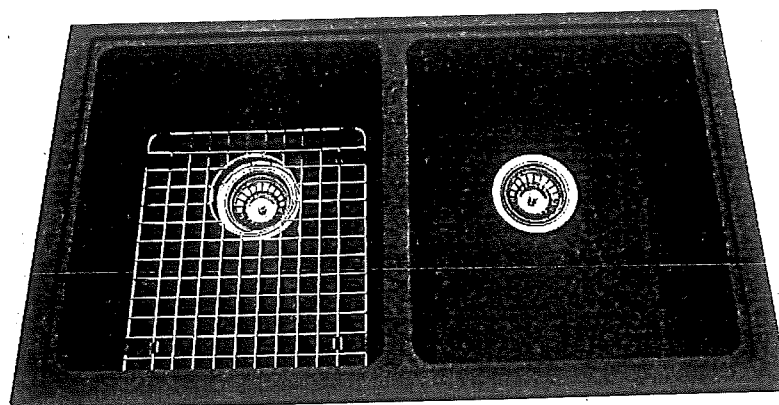


KITCHEN



Included Accessories



BG180S

Optional Accessories



MB50



GB50



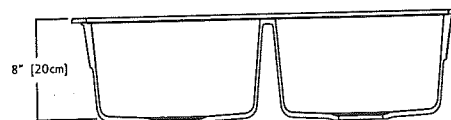
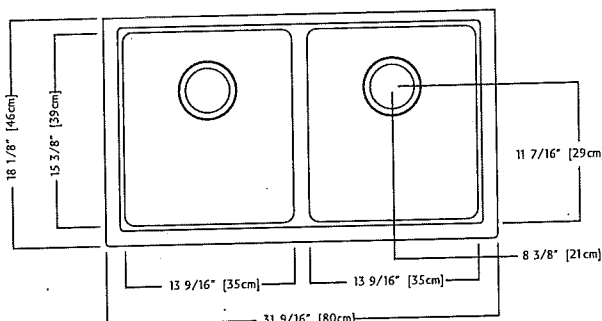
C50S



RM50S



BG180S



KGD1U/8 SPECIFICATION

Model KGD1U/8 is a double (two equal size) bowl undermount sink, cast from colour Granite composite. Stainless steel strainer waste fittings (3 1/2", 89 mm), template, and installation kit are included. Sink is backed with a lifetime warranty.

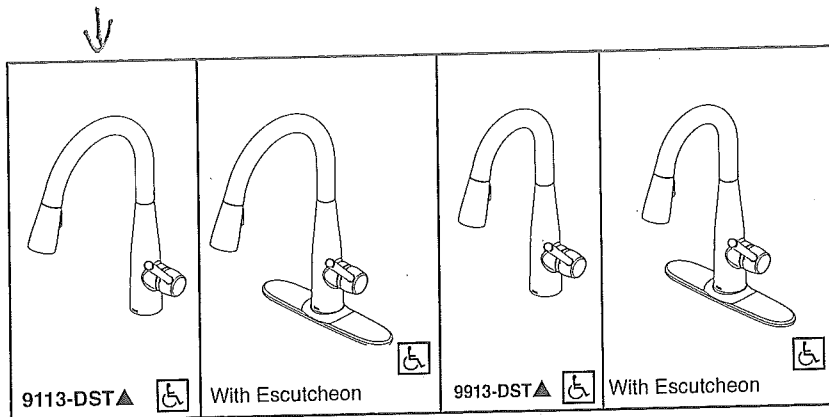
- O.D. 18 1/8" x 31 9/16" x 8" (46 x 80 x 20 cm)
- Recommended for minimum 36" cabinet for Kindred install method
- 33" cabinet minimum to accept sink bowls

KGD1U/8CH - Champagne FUN# 114.0061.222

KGD1U/8OS - Oyster FUN# 125.0308.159

KGD1U/8ON - Onyx FUN# 125.0183.330

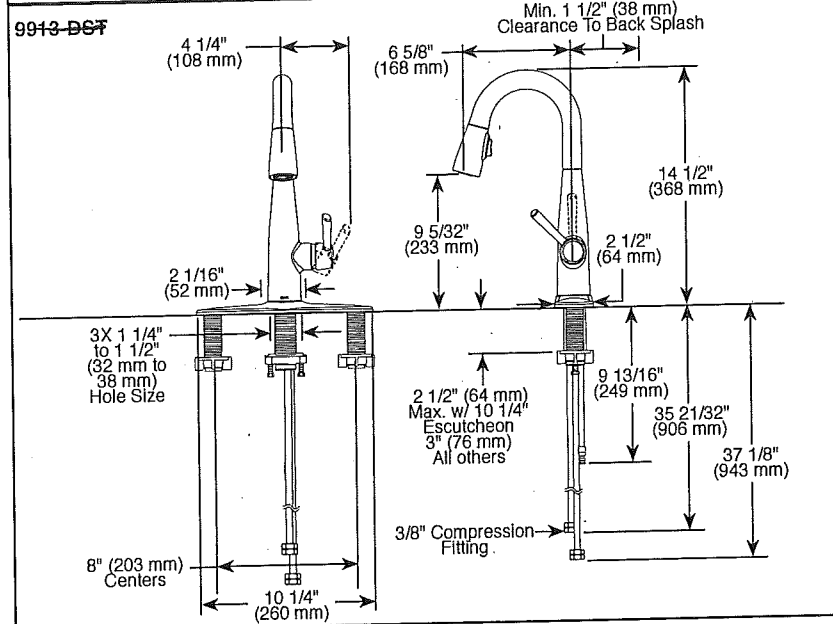
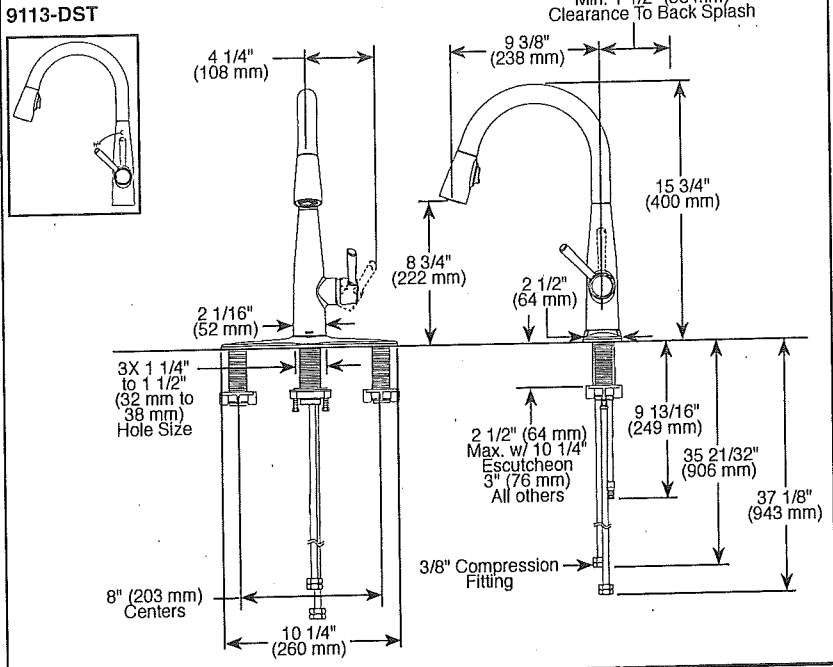
KGD1U/8ES - Espresso FUN# 125.0183.331



9113-DST▲ With Escutcheon 9913-DST▲ With Escutcheon

Submitted Model No.: _____

Specific Features: _____



▲ Designate proper finish suffix
 Delta reserves the right (1) to make changes in specifications and materials, and (2) to change or discontinue models, both without notice or obligation. Dimensions are for reference only. See current full-line price book or www.deltafaucet.com for finish options and product availability.

DSP-K-9113-DST Rev. A



KITCHEN FAUCETS

- Essa™ Collection
- Single Handle Pull-Down

FEATURES:

- DIAMOND Seal® Technology
- MagnaTite® Magnetic Docking
- Touch-Clean® Sprayhead


STANDARD SPECIFICATIONS:

- 1.8 gpm @ 60 PSI, 6.8 L/Min @ 414 kPa
- One or three hole mount (Escutcheon included with kitchen models. For prep models, order separately)
- Diamond coated ceramic cartridge
- 3/8" O.D. straight, staggered pex supply lines
- Spout rotates 360°
- Red/Blue indicator markings
- Two-function wand; Aerated stream or spray
- Dual integral check valves in sprayer

WARRANTY

- Lifetime limited warranty on parts (other than electronic parts and batteries) and finishes: or, for commercial users, for 5 years from date of purchase.
- 5 year limited warranty on electronic parts (other than batteries); or, for commercial users, for 1 year from the date of purchase. No warranty is provided on batteries.

COMPLIES WITH:

- ASME A112.18.1 / CSA B125.1
- ASME A112.18.6
-  Indicates compliance to ICC/ANSI A117.1
- Verified compliant with .25% weighted average Pb content regulations.



55 E 111th Street, Indianapolis, Indiana 46280
 350 South Edgeware Road, St. Thomas, ON N5P 4L1
 © 2014 Masco Corporation of Indiana